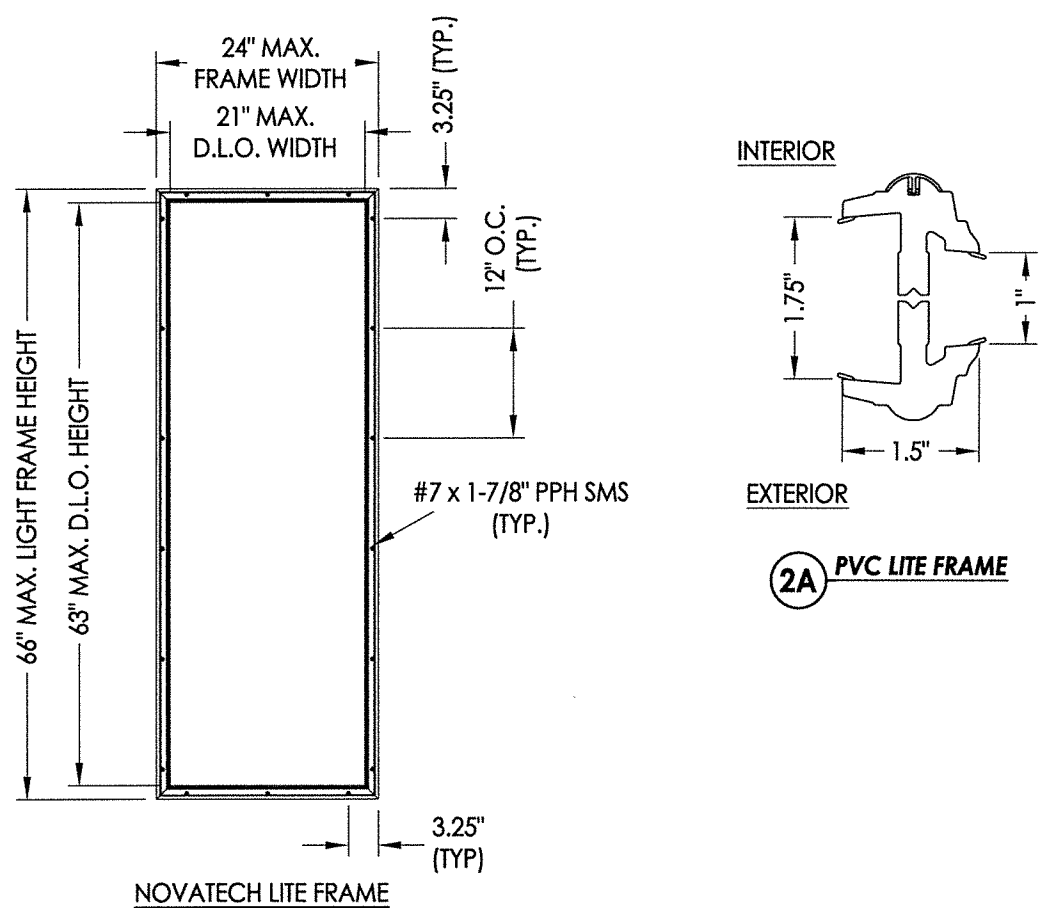
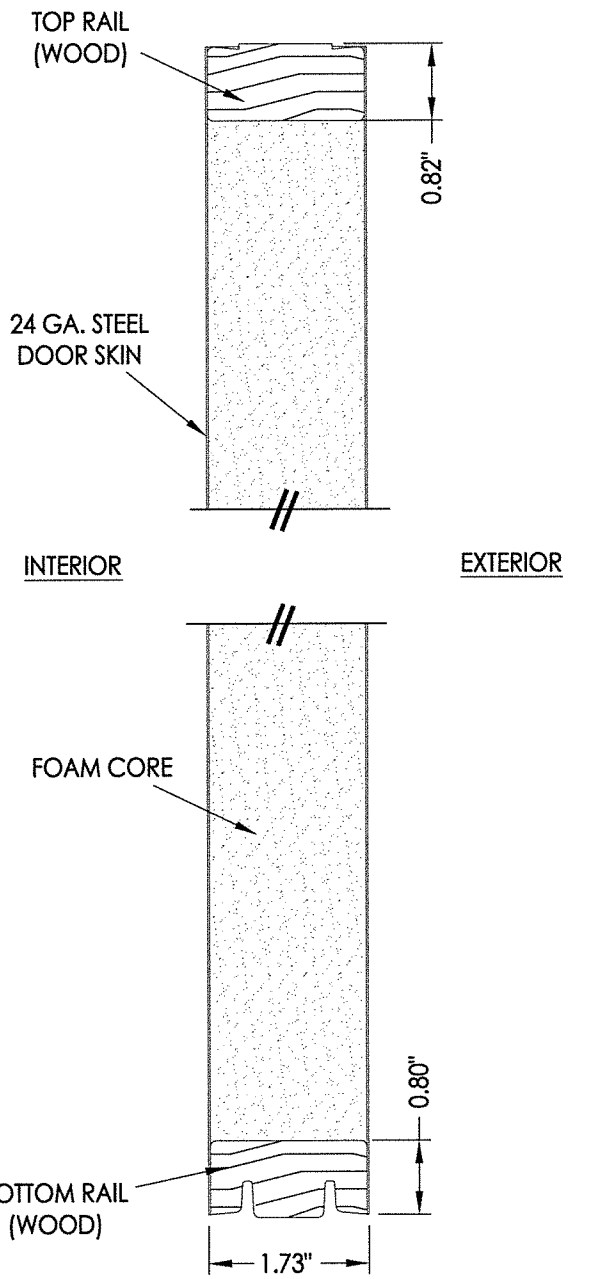
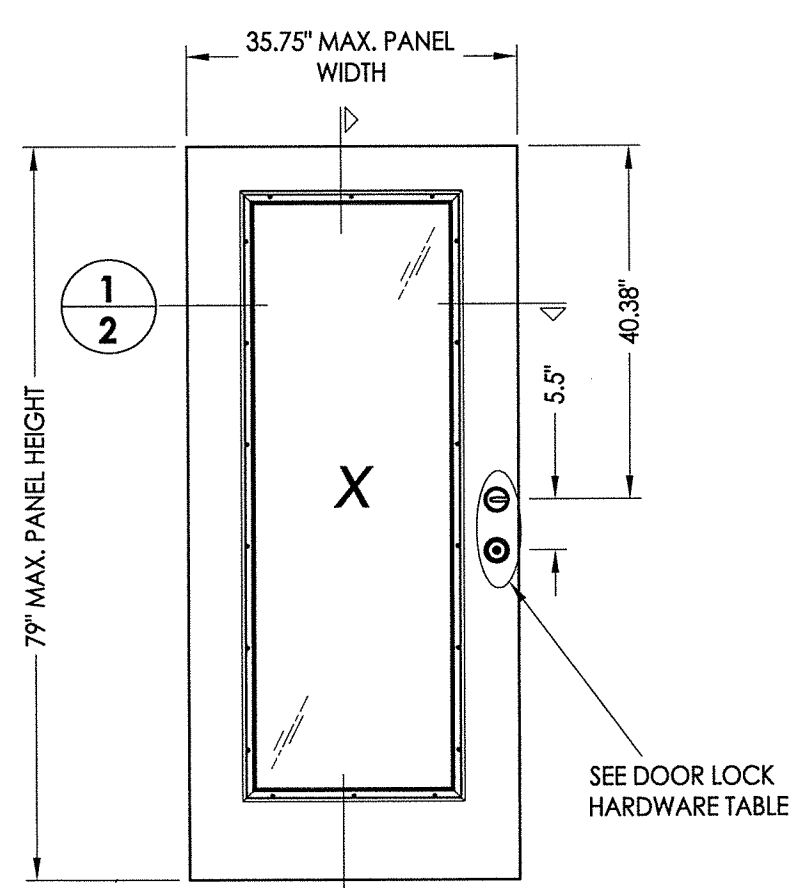
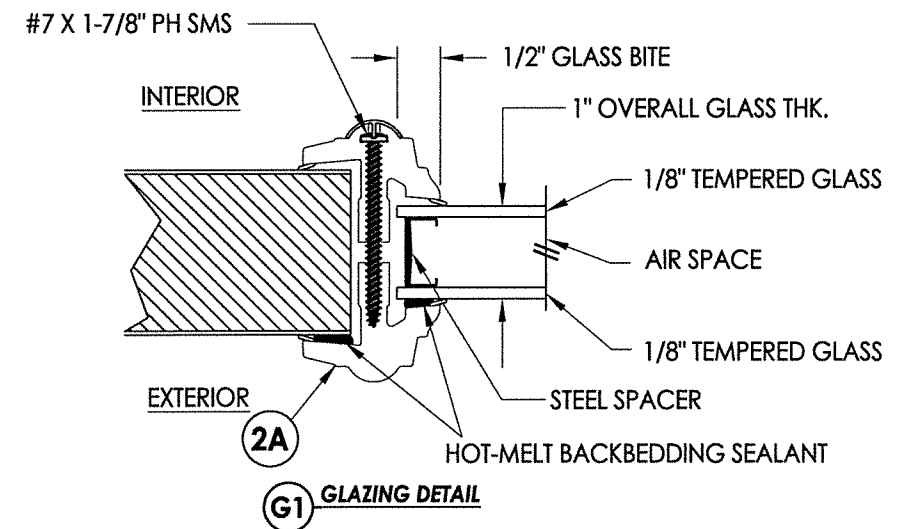
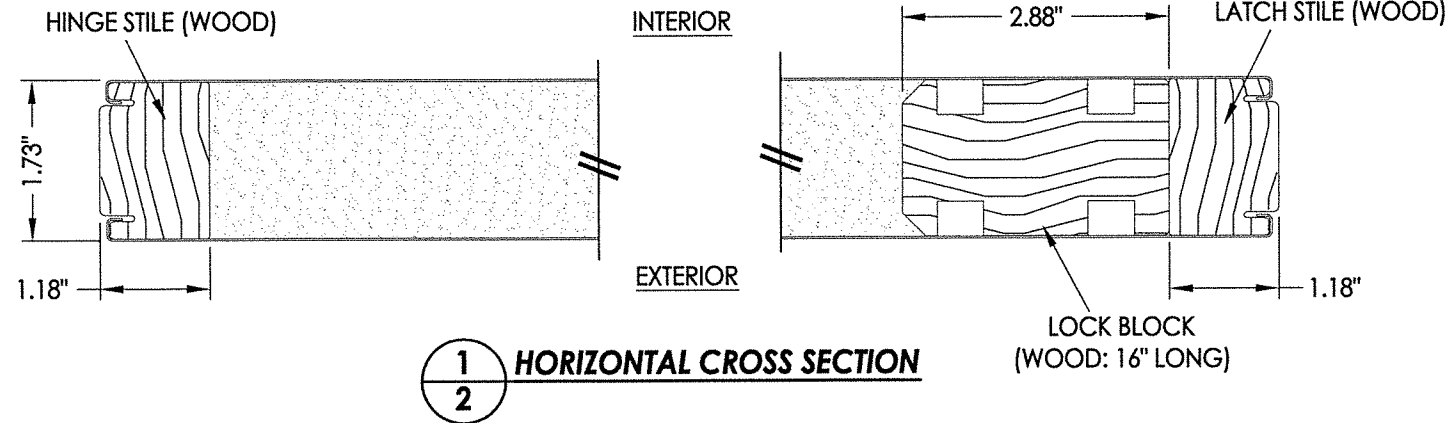


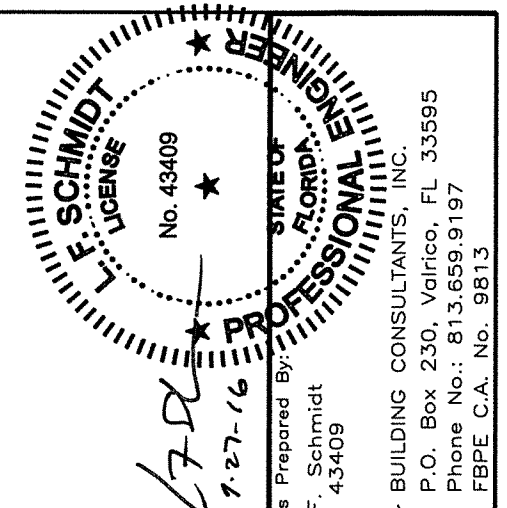
R:\Clients\Novatech\A - Florida Product Approvals\FL-20873 Side Hinged Steel Doors (Endura Components)\C - Drawings\FL-20873 (2014)\FL-20873.1-4.dwg, 2.1



- 40** NOVATECH DOOR PANEL
- 50** NOVATECH SIDELITE PANEL

DOOR SKIN: 24 GA. STEEL (0.021\" MIN. THICKNESS)
CORE MATERIAL: POLYURETHANE FOAM (2.0 PCF MIN.)

DOOR LOCK HARDWARE TABLE		
MANUFACTURER	MODEL	
KWIKSET	Knob:	SIGNATURE SERIES
	Deadbolt:	SIGNATURE SERIES (980)



Documents Prepared By:
Lyndon F. Schmidt
P.E. No. 43409

RW BUILDING CONSULTANTS, INC.
P.O. Box 230, Valrico, FL 33595
Phone No.: 813.659.9197
FBPE C.A. No. 9813

PRODUCT:	NOVATECH STEEL DOOR	
PART OR ASSEMBLY:	DOOR & SIDELITE PANEL DETAILS	
NO.	DATE	BY
REVISIONS		

DATE: 6/30/16

SCALE: N.T.S.

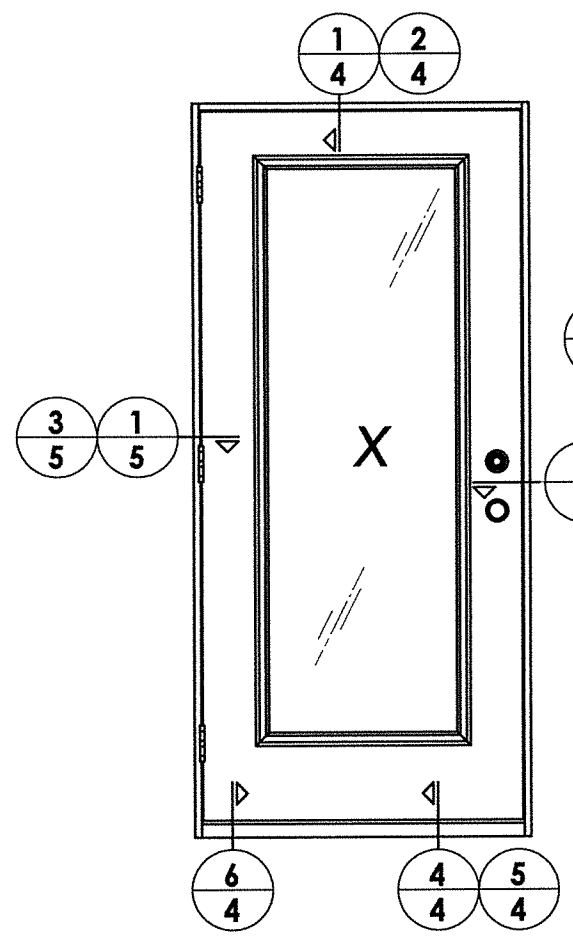
DWG. BY: JK

CHK. BY: LFS

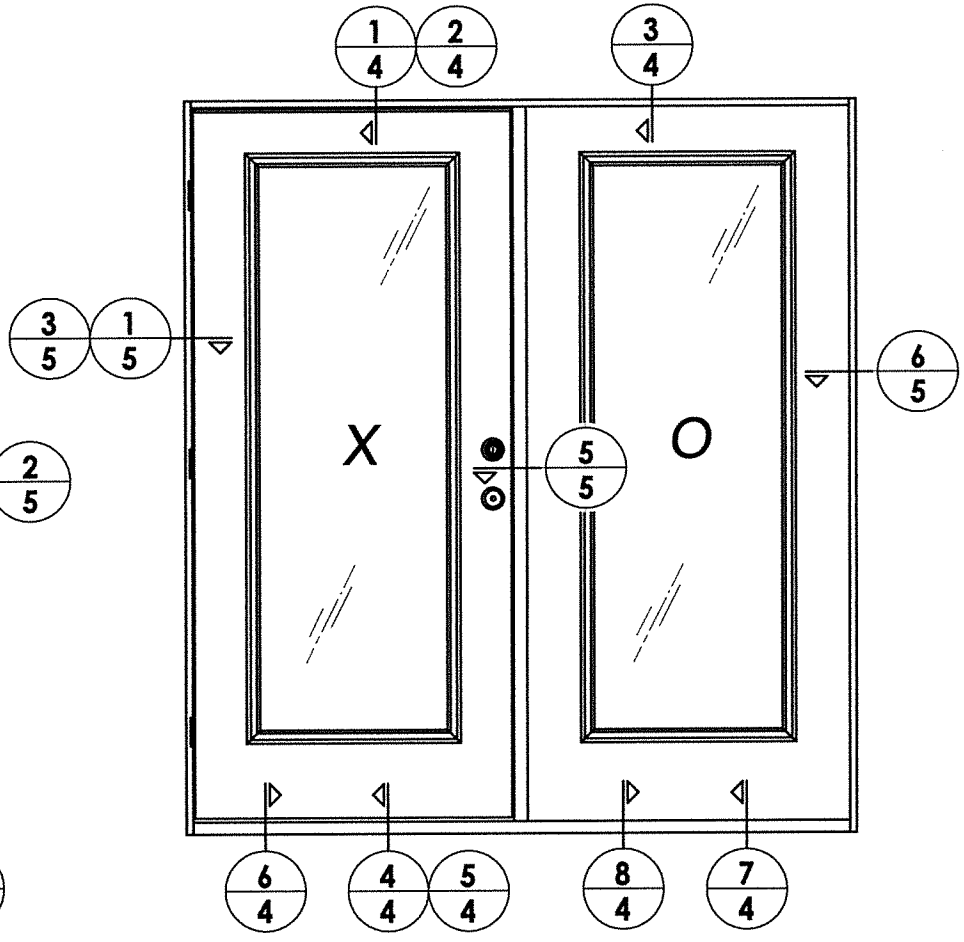
DRAWING NO.: FL-20873.1

SHEET 2 of 8

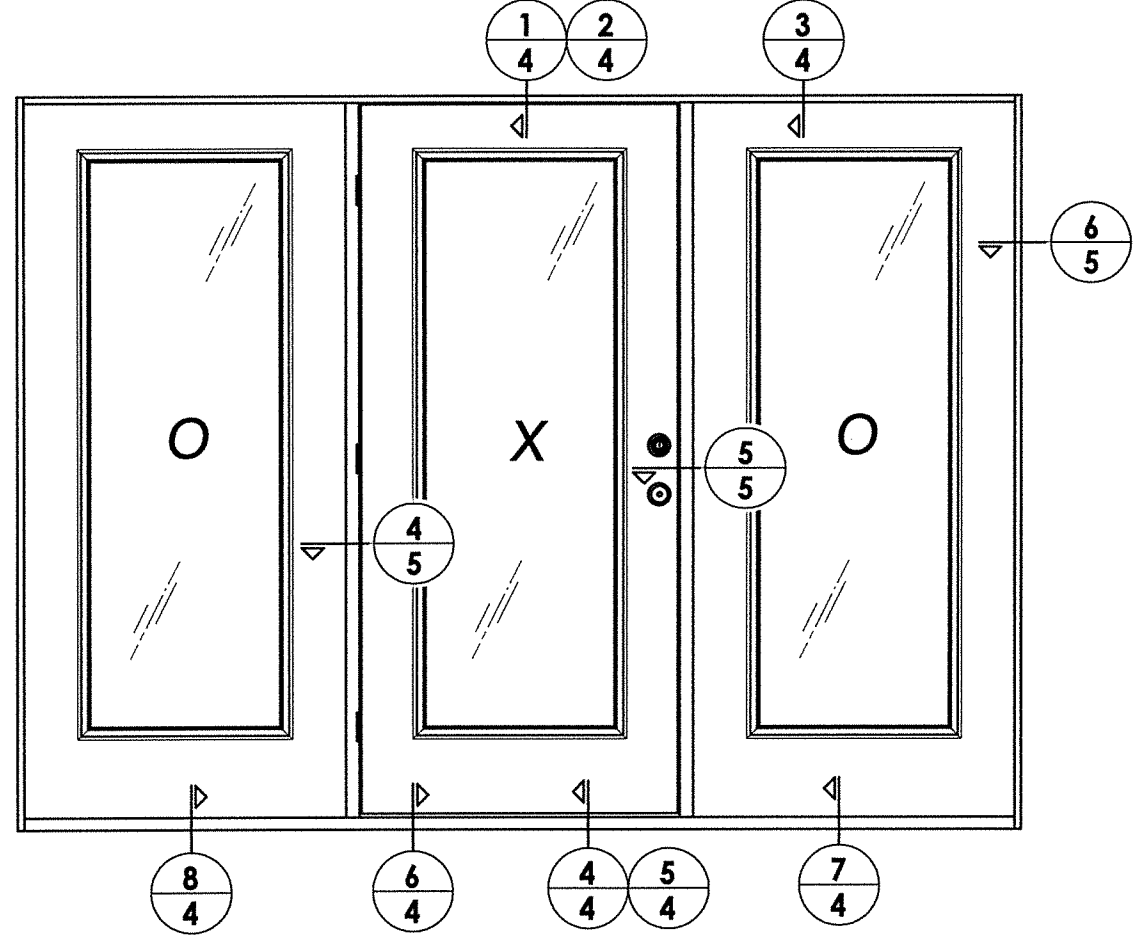
© 2016 R.W. BUILDING CONSULTANTS INC.



ELEVATION
X



ELEVATION
XO / OX



ELEVATION
OXO

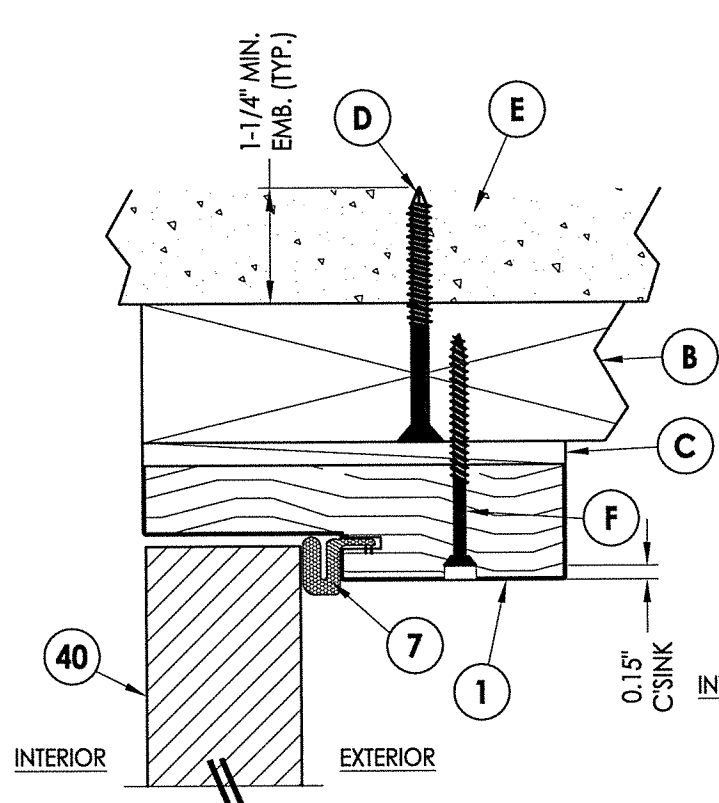
F. SCHMIDT
 LICENSE
 No. 43409
 STATE OF FLORIDA
 PROFESSIONAL ENGINEER

Documents Prepared By:
 Lyndon F. Schmidt
 P.E. No. 43409

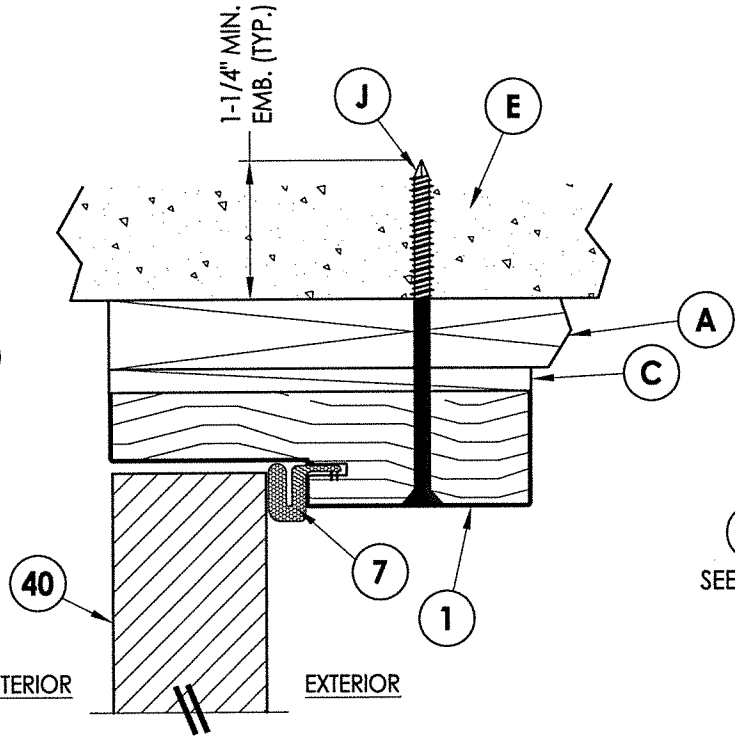
RW
 BUILDING CONSULTANTS, INC.
 P.O. Box 230, Valrico, FL 33595
 Phone No.: 813.659.9197
 FBPE C.A. No. 9813

PRODUCT: NOVATECH STEEL DOOR	PART OR ASSEMBLY: ELEVATIONS
NO. DATE _____ _____	BY _____ _____
REVISIONS	
DATE: 6/30/16	
SCALE: N.T.S.	
DWG. BY: JK	
CHK. BY: LFS	
DRAWING NO.: FL-20873.1	
SHEET 3 OF 8	

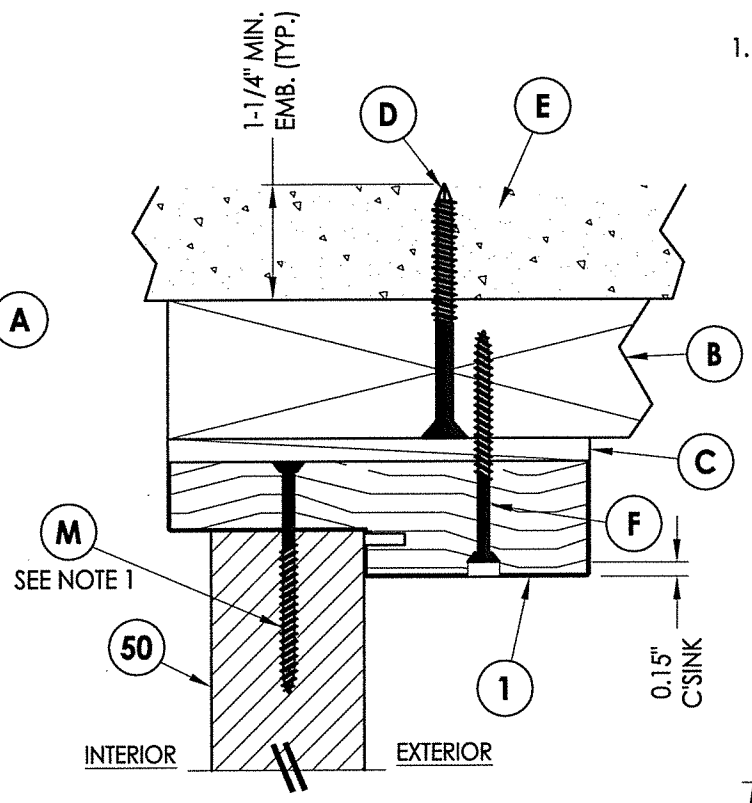
R:\Clients\Novatech\A - Florida Product Approvals\FL-20873 Side Hinged Steel Doors (Endura Components)\C - Drawings\FL 20873 (2014)\FL-20873.1-4.dwg, 4.1



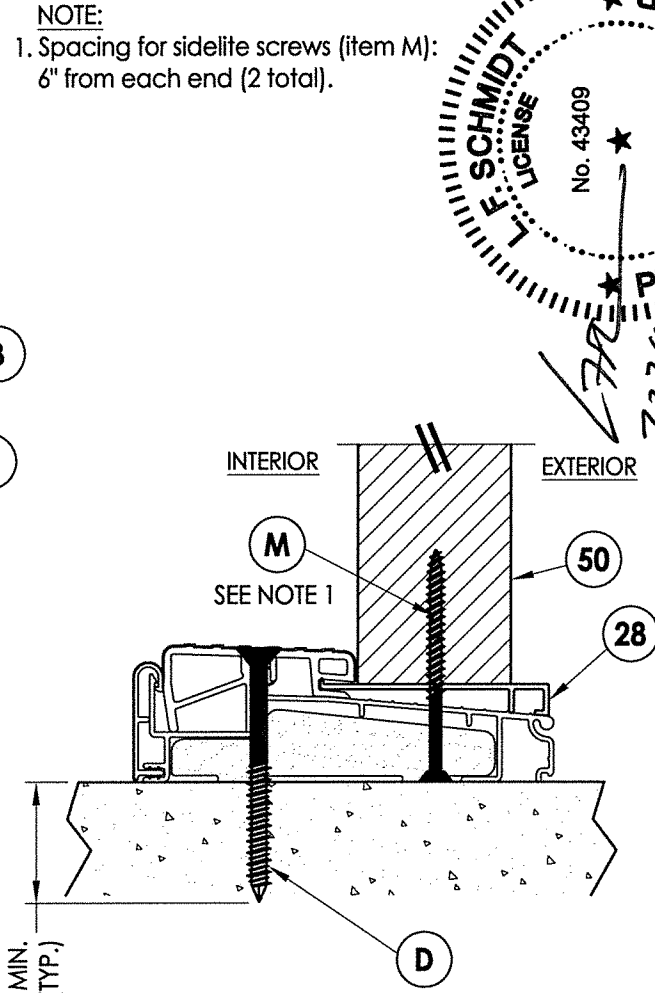
1 VERTICAL CROSS SECTION
4 Inswing shown (Outswing similar)
2X Buck Construction



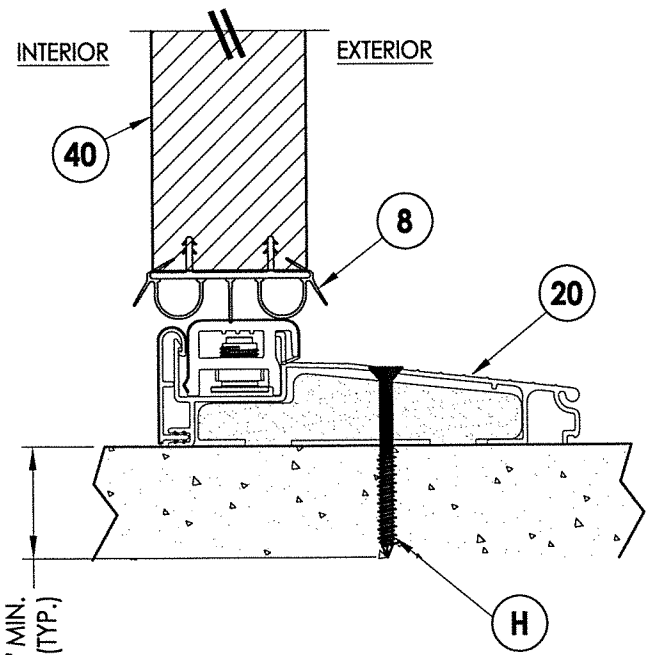
2 VERTICAL CROSS SECTION
4 Inswing shown (Outswing similar)
1X Buck Construction



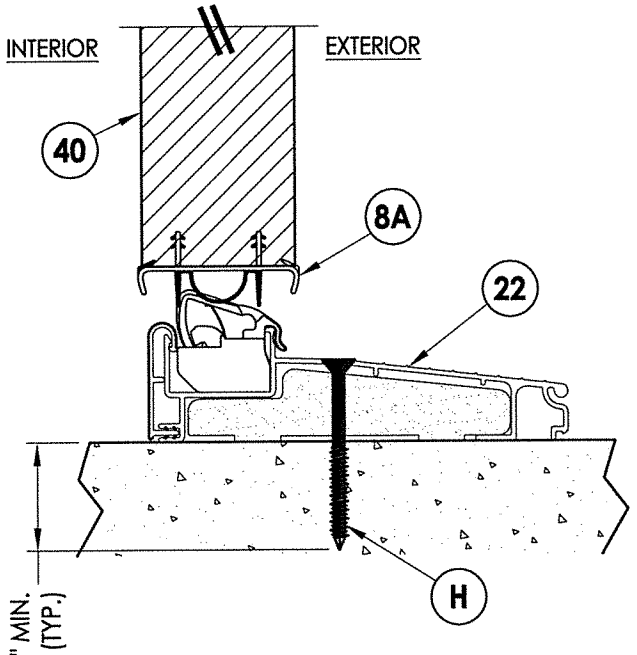
3 VERTICAL CROSS SECTION
4 Inswing shown (Outswing similar)
2X Buck Construction



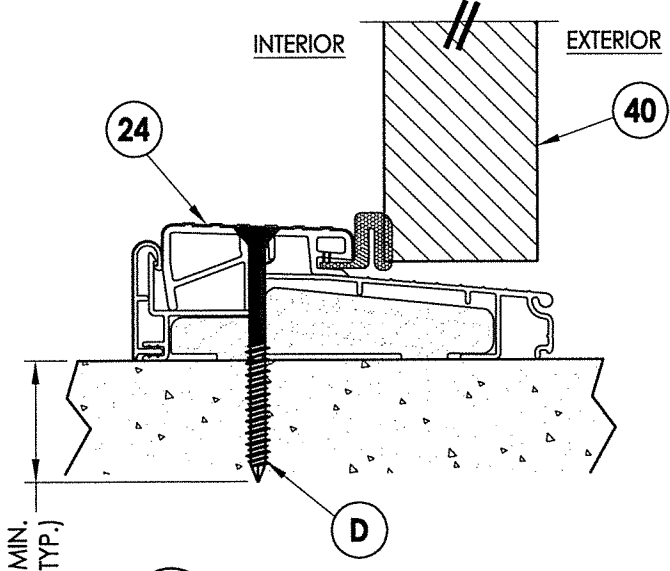
8 VERTICAL CROSS SECTION
4 Outswing Sidelite Threshold



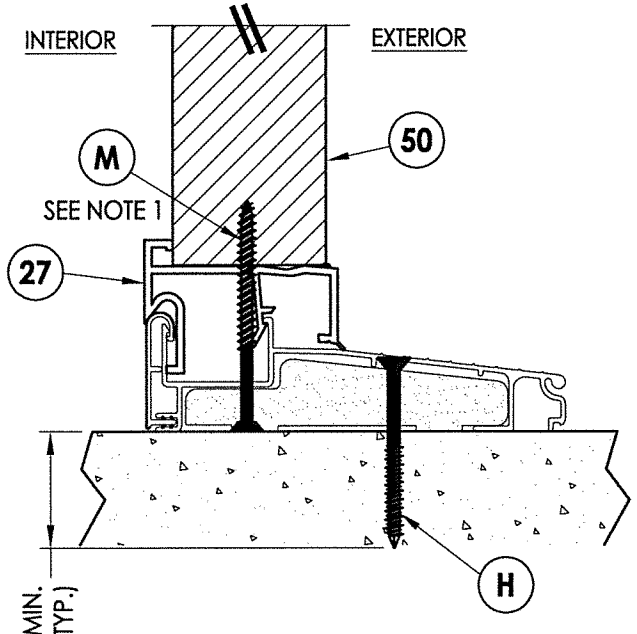
4 VERTICAL CROSS SECTION
4 Inswing Adjustable Threshold



5 VERTICAL CROSS SECTION
4 Inswing Articulating Threshold

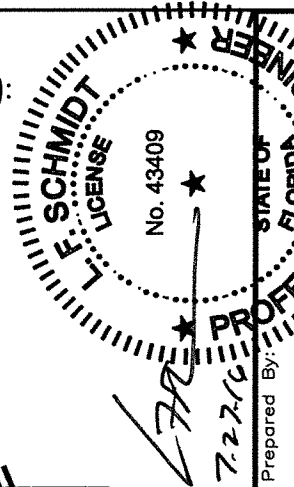


6 VERTICAL CROSS SECTION
4 Outswing Bump Threshold



7 VERTICAL CROSS SECTION
4 Inswing Sidelite Threshold

NOTE:
1. Spacing for sidelite screws (item M):
6" from each end (2 total).



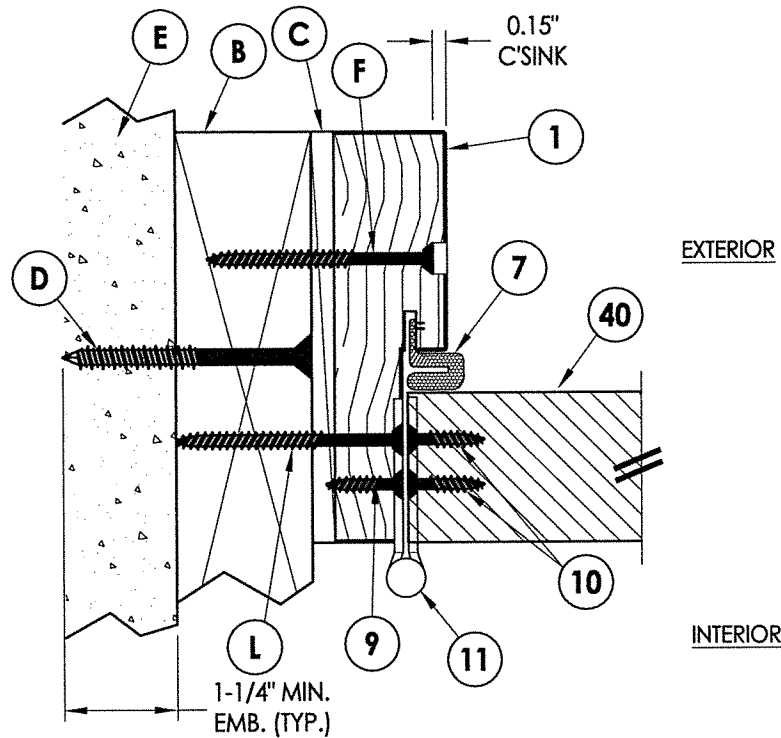
Documents Prepared By:
Lyndon F. Schmidt
P.E. No. 43409

R.W. BUILDING CONSULTANTS, INC.
P.O. Box 230, Valrico, FL 33595
Phone No.: 813.659.9197
FBPE C.A. No. 9813

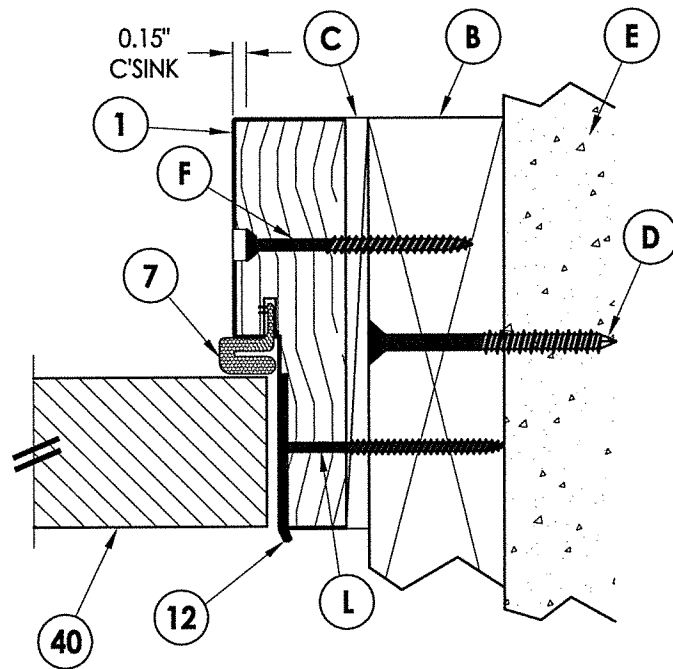
PRODUCT: NOVATECH STEEL DOOR
PART OR ASSEMBLY: VERTICAL CROSS SECTIONS

NO.	DATE	BY

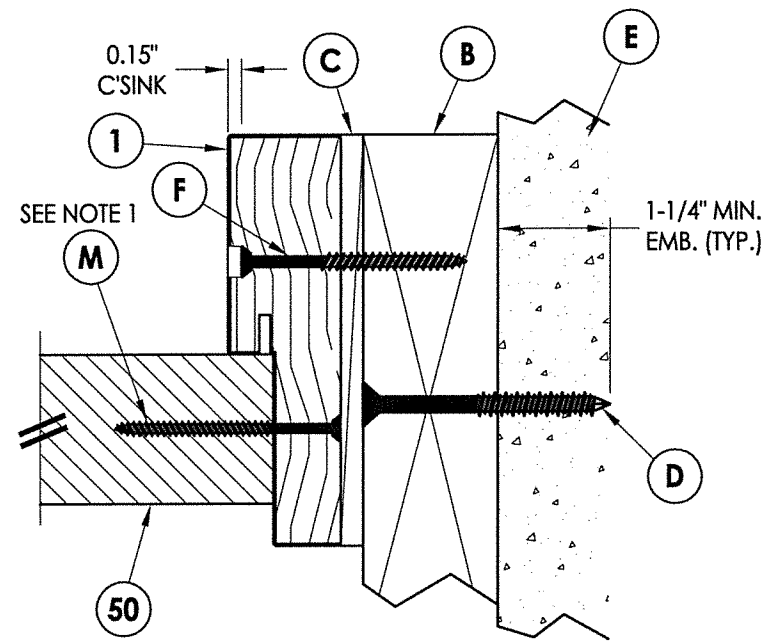
DATE: 6/30/16
SCALE: N.T.S.
DWG. BY: JK
CHK. BY: LFS
DRAWING NO.: FL-20873.1
SHEET 4 OF 8



1 HORIZONTAL CROSS SECTION
5 Inswing shown (Outswing similar)
 2X Buck Construction

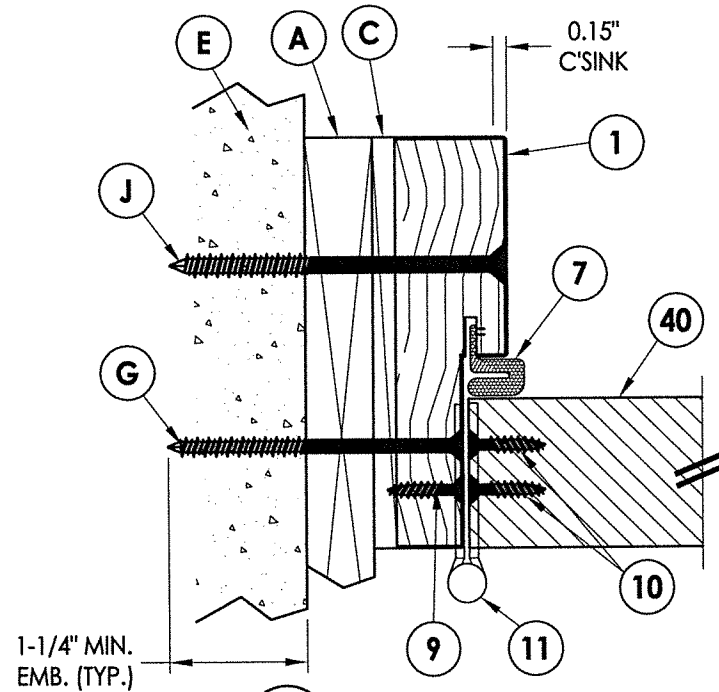


2 HORIZONTAL CROSS SECTION
5 Inswing shown (Outswing similar)
 2X Buck Construction

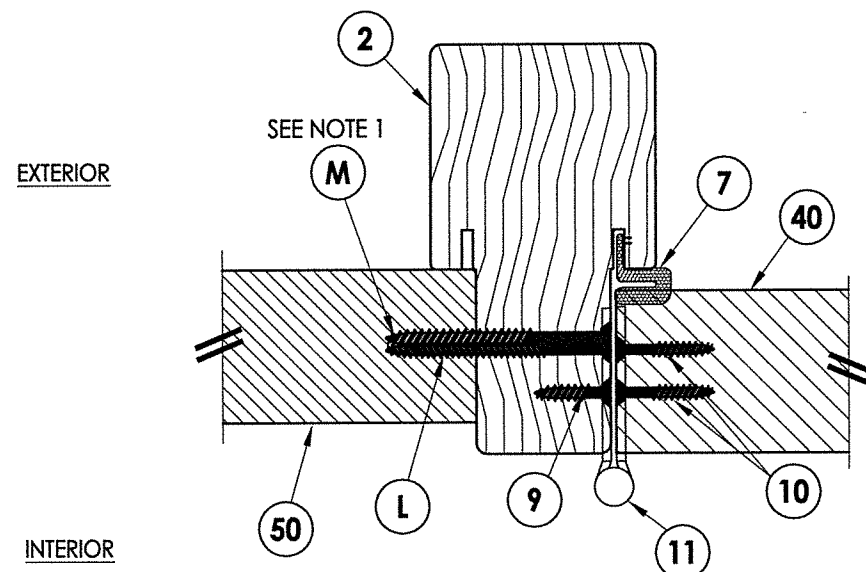


6 HORIZONTAL CROSS SECTION
5 Inswing shown (Outswing similar)
 2X Buck Construction

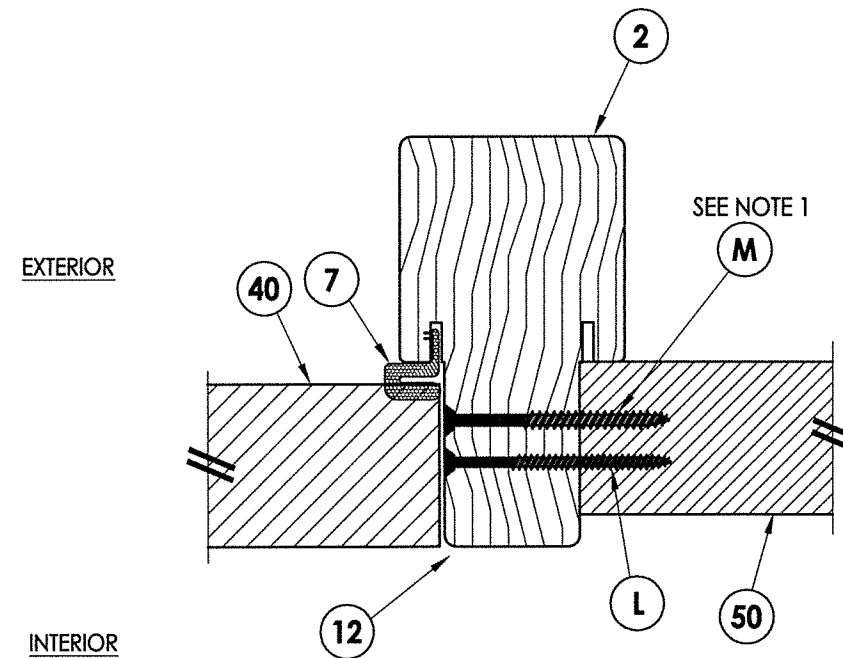
NOTE:
 1. Spacing for sidelite screws (item M): 6.5", 38.5" and 69" from head to sill (3 total).



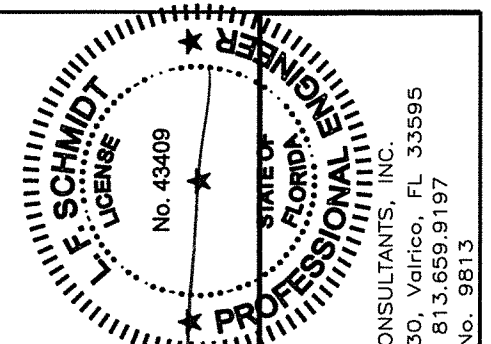
3 HORIZONTAL CROSS SECTION
5 Inswing shown (Outswing similar)
 1X Buck Construction



4 HORIZONTAL CROSS SECTION
5 Inswing shown (Outswing similar)



5 HORIZONTAL CROSS SECTION
5 Inswing shown (Outswing similar)

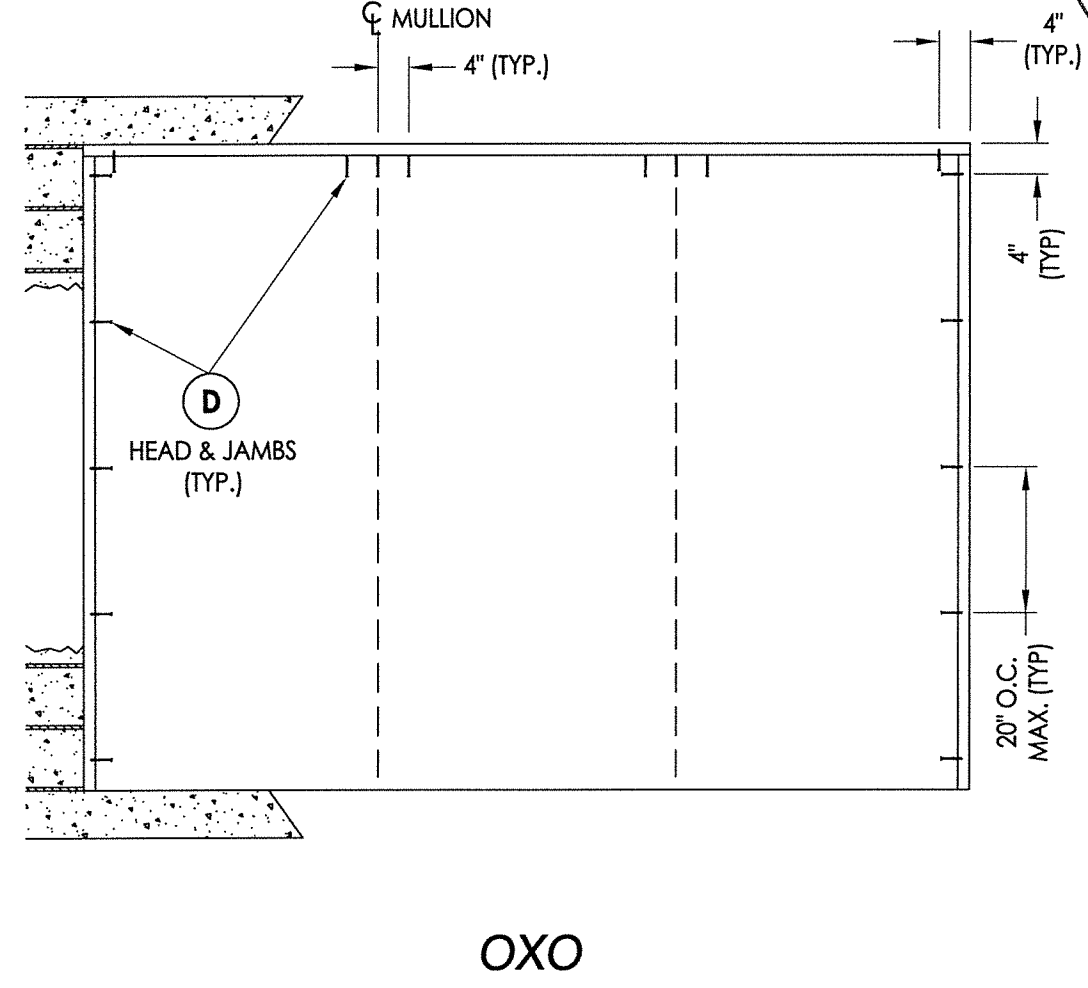
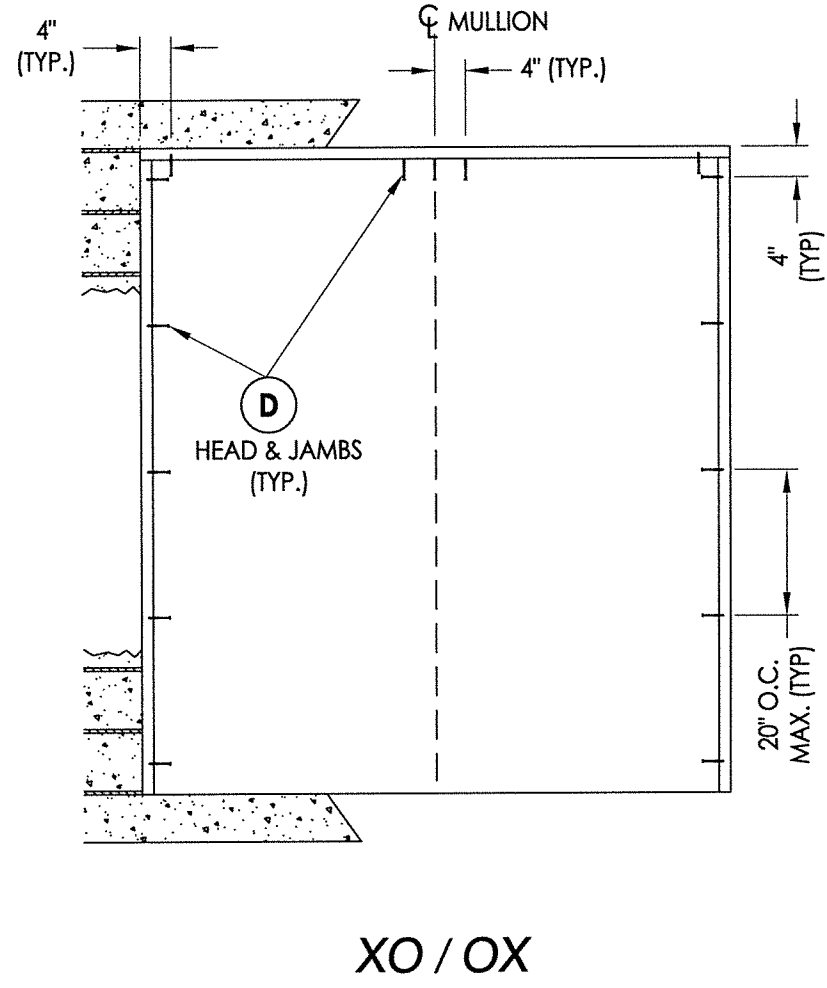
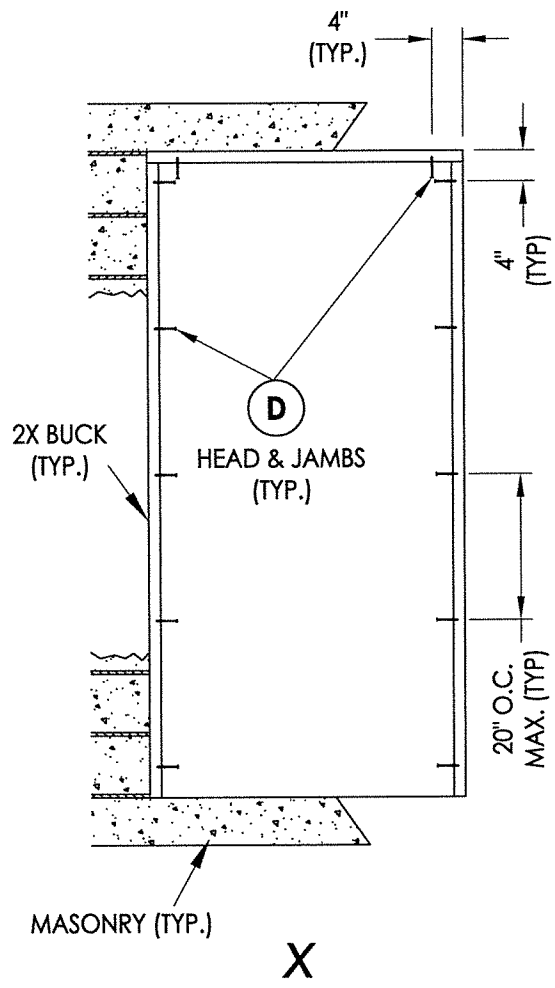


Documents Prepared By:
 Lyndon F. Schmidt
 P.E. No. 43409
 R.W. BUILDING CONSULTANTS, INC.
 P.O. Box 230, Valrico, FL 33595
 Phone No.: 813.659.9197
 FBPE C.A. No. 9813

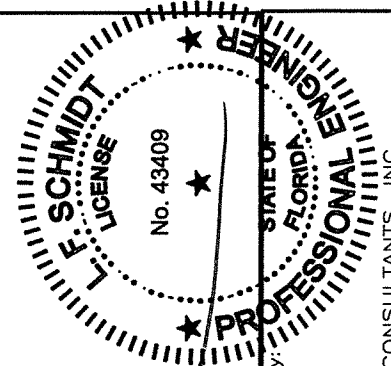
PRODUCT:	NOVATECH STEEL DOOR
PART OR ASSEMBLY:	HORIZONTAL CROSS SECTIONS

NO.	DATE	BY	REVISIONS

DATE:	6/30/16
SCALE:	N.T.S.
DWG. BY:	JK
CHK. BY:	LFS
DRAWING NO.:	FL-20873.1
SHEET	5 OF 8



2X BUCK ANCHORING



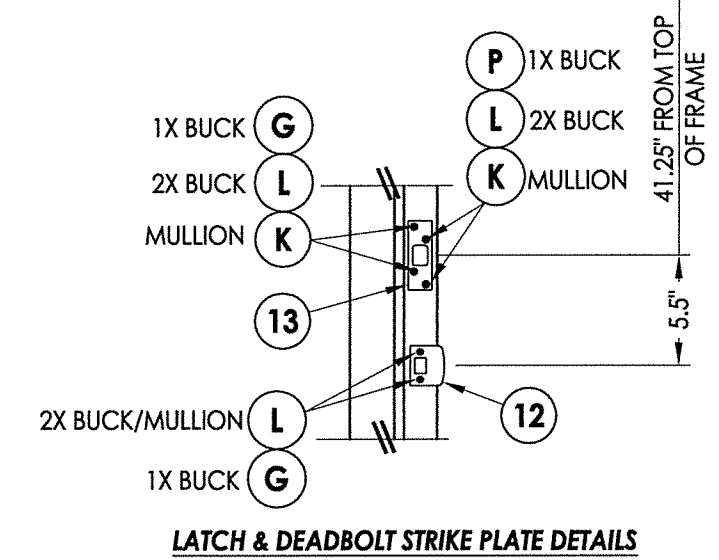
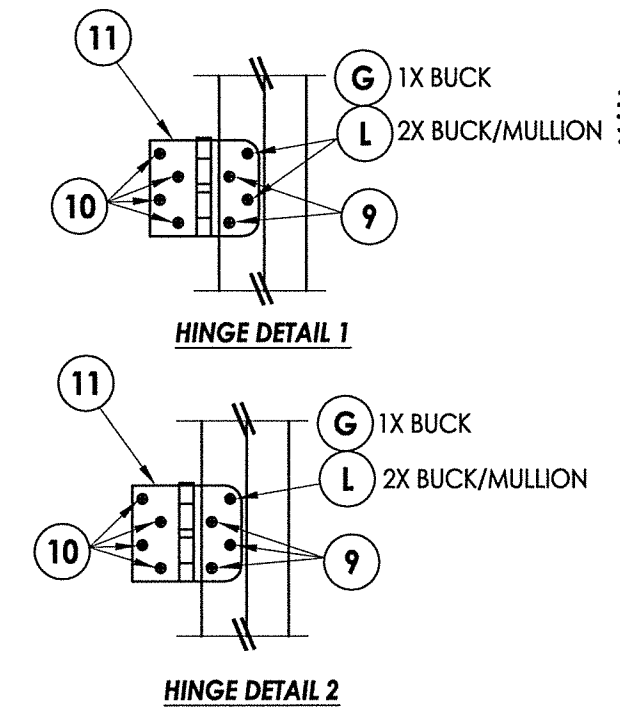
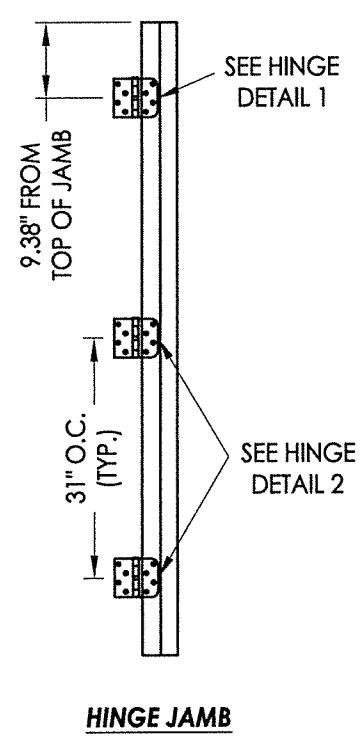
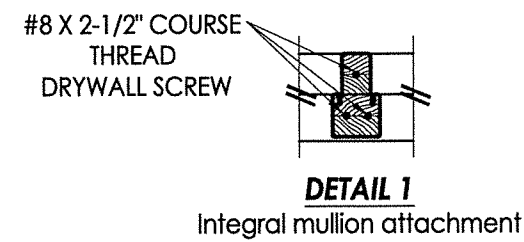
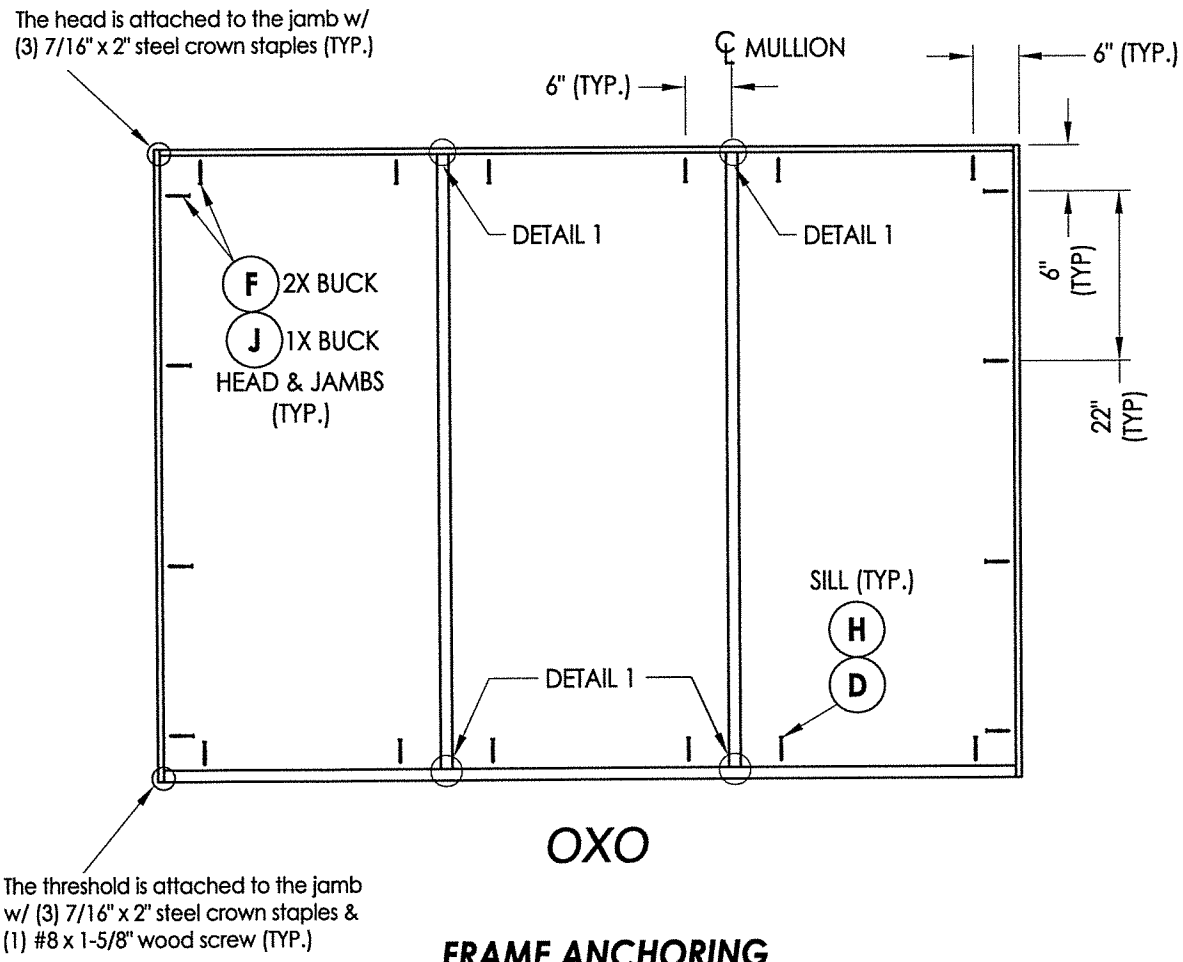
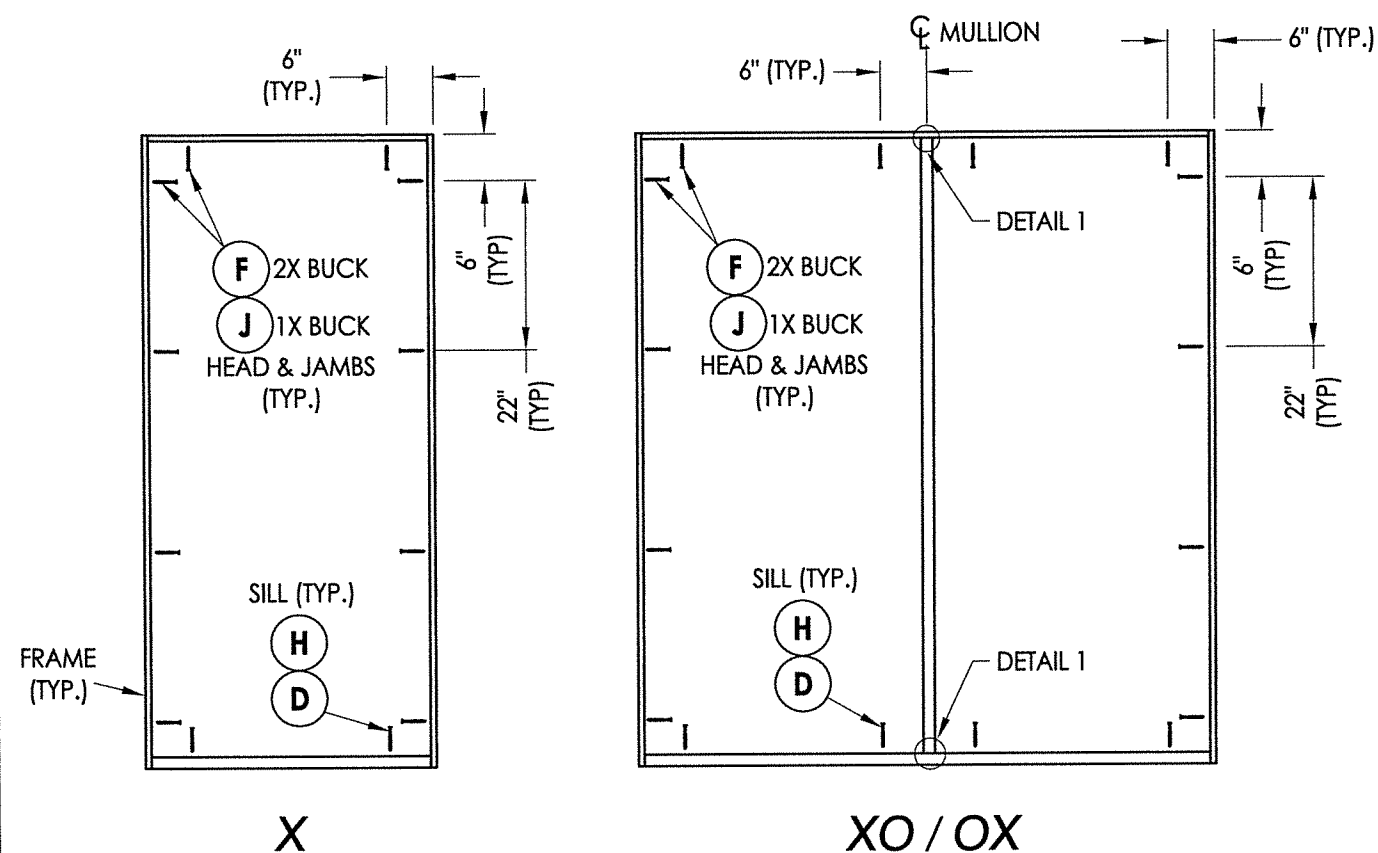
Documents Prepared By:
 Lyndon F. Schmidt
 P.E. No. 43409
 RW BUILDING CONSULTANTS, INC.
 P.O. Box 230, Valrico, FL 33595
 Phone No.: 813.659.9197
 FBPE C.A. No. 9813

PRODUCT: NOVATECH STEEL DOOR
 PART OR ASSEMBLY: BUCK ANCHORING

NO.	DATE	BY	REVISIONS

DATE: 6/30/16
 SCALE: N.T.S.
 DWG. BY: JK
 CHK. BY: LFS
 DRAWING NO.: FL-20873.1
 SHEET 6 OF 8

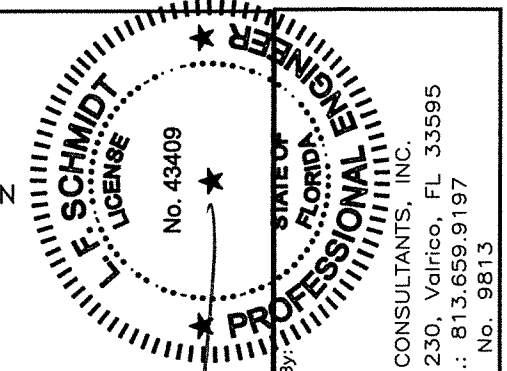
R:\Clients\Novatech\A - Florida Product Approvals\FL-20873 Side Hinged Steel Doors (Endura Components)\C - Drawings\FL-20873.1-4.dwg, 7.1



- CONCRETE ANCHOR NOTES:**
1. Concrete anchor locations at the corners may be adjusted to maintain the min. edge distance to mortar joints.
 2. Concrete anchor locations noted as "MAX. ON CENTER" must be adjusted to maintain the min. edge distance to mortar joints, additional concrete anchors may be required to ensure the "MAX. ON CENTER" dimension are not exceeded.
 3. Concrete anchor table:

ANCHOR TYPE	ANCHOR SIZE	MIN. EMBEDMENT	MIN. CLEARANCE TO MASONRY EDGE	MIN. CLEARANCE TO ADJACENT ANCHOR
ITW BUILDEX TAPCON®	3/16"	1-1/4"	3"	1-1/2"
	1/4"	1-1/4"	2"	4"
ELCO ULTRACON®	1/4"	1-1/4"	1"	4"

- WOOD SCREW INSTALLATION NOTES:**
1. Maintain a minimum 5/8" edge distance, 1" end distance, & 1" o.c. spacing of wood screws to prevent the splitting of wood.



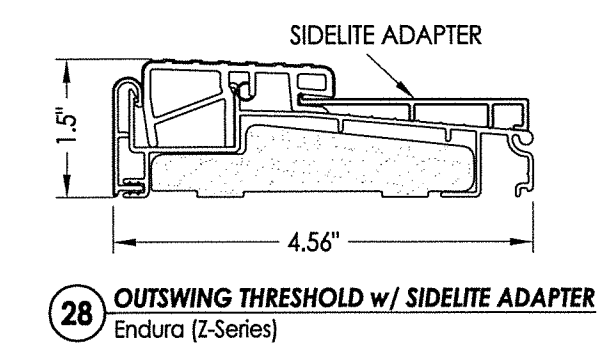
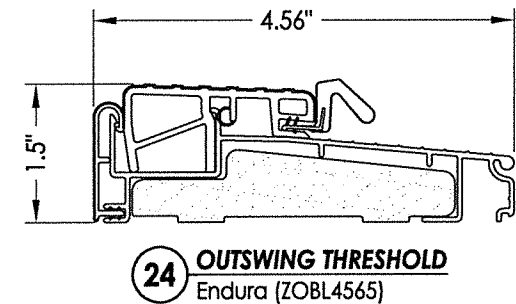
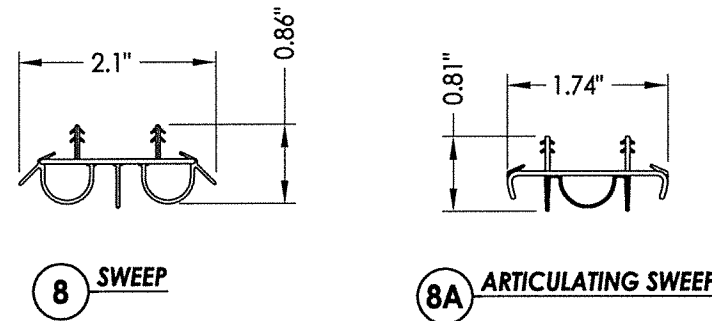
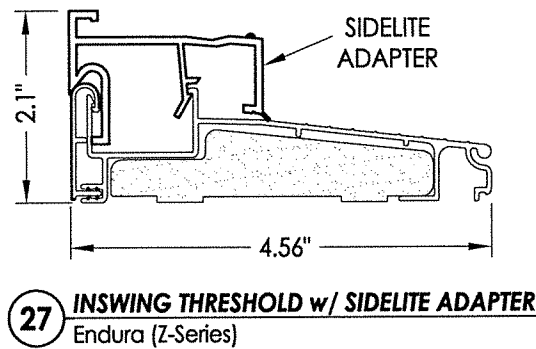
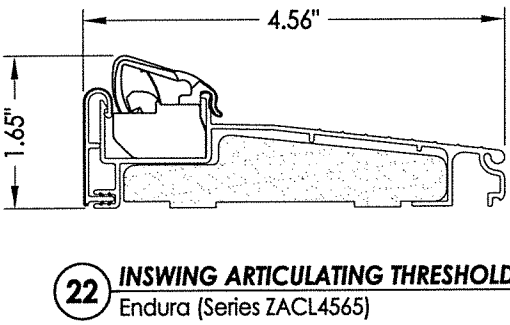
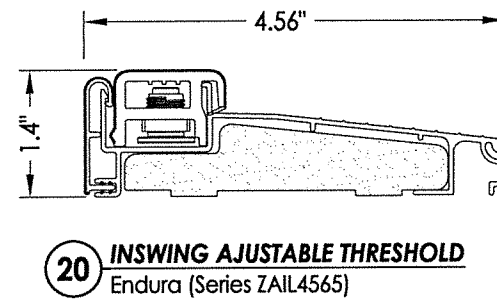
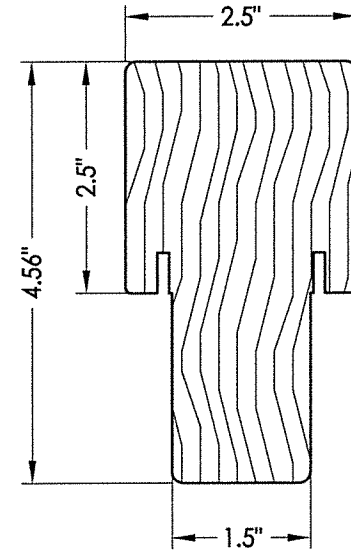
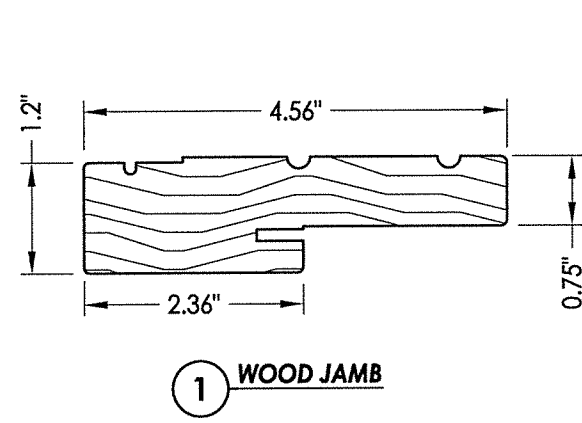
Documents Prepared By:
Lyndon F. Schmidt
P.E. No. 43409

RW
BUILDING CONSULTANTS, INC.
P.O. Box 230, Valrico, FL 33595
Phone No.: 813.659.9197
FBPE C.A. No. 9813

PRODUCT: NOVATECH STEEL DOOR		PART OR ASSEMBLY: FRAME ANCHORING & HARDWARE DETAILS	
NO.	DATE	BY	REVISIONS
DATE: 6/30/16		SCALE: N.T.S.	
DWG. BY: JK		CHK. BY: LFS	
DRAWING NO.: FL-20873.1		NO. DATE	
SHEET 7 OF 8			

© 2016 R.W. BUILDING CONSULTANTS INC.

BILL OF MATERIALS		
ITEM #	DESCRIPTION	MATERIAL
A	1X BUCK (G >= 0.42)	WOOD
B	2X BUCK (G >= 0.42)	WOOD
C	1/4" MAX. SHIM SPACE	-
D	1/4" X 2-3/4" PFH ELCO OR ITW CONCRETE SCREW	STEEL
E	MASONRY - 3,000 PSI MIN. CONCRETE CONFORMING TO ACI 301 OR HOLLOW BLOCK CONFORMING TO ASTM C90	CONCRETE
F	#10 X 2-1/2" PFH WOOD SCREW (1.15" MIN. EMBEDMENT)	STEEL
G	3/16" X 3-1/4" PFH ITW CONCRETE SCREW	STEEL
H	1/4" X 2-1/4" PFH ELCO OR ITW CONCRETE SCREW	STEEL
J	1/4" X 3-3/4" PFH ELCO OR ITW CONCRETE SCREW	STEEL
K	#10 X 3" PFH WOOD SCREW	STEEL
L	#8 X 2-1/2" PFH WOOD SCREW	STEEL
M	#8 X 2-1/2" PFH COURSE THREAD DRYWALL SCREW	STEEL
P	#10 X 1-3/4" PFH WOOD SCREW	STEEL
1	FINGER JOINT PINE JAMB (G >= 0.42)	WOOD
2	INTEGRAL MULLION (ENDURA FATBOY - PINE, G >= 0.42)	WOOD
7	WEATHERSTRIP (ENDURA)	FOAM
8	DOOR BOTTOM SWEEP	VINYL
8A	ARTICULATING SWEEP	VINYL
9	#8 X 3/4" PFH WOOD SCREW	STEEL
10	#8 X 1" PFH WOOD SCREW	STEEL
11	4" X 4" BUTT HINGE	STEEL
12	LATCH STRIKE PLATE	STEEL
13	DEADBOLT STRIKE PLATE (SECURITY)	STEEL
20	INSWING ADJUSTABLE THRESHOLD	ALUM/COMP
22	INSWING ARTICULATING THRESHOLD	ALUM/COMP
24	OUTSWING THRESHOLD	ALUM/COMP
27	INSWING THRESHOLD w/ SIDELITE ADAPTER	ALUM/COMP
28	OUTSWING THRESHOLD w/ SIDELITE ADAPTER	ALUM/COMP
40	DOOR PANEL - SEE DOOR PANEL DETAIL SHEET FOR DETAILS	-
50	SIDELITE PANEL - SEE SIDELITE PANEL DETAIL SHEET FOR DETAILS	-



F. SCHMIDT
 LICENSE
 No. 43409
 ★
 STATE OF FLORIDA
 PROFESSIONAL ENGINEER

LFS
 7/27/16

Documents Prepared By: **RW**
 Lyndon F. Schmidt
 P.E. No. 43409
 BUILDING CONSULTANTS, INC.
 P.O. Box 230, Valrico, FL 33595
 Phone No.: 813.659.9197
 FBPE C.A. No. 9813

PRODUCT: **NOVATECH STEEL DOOR**
 PART OR ASSEMBLY: **BILL OF MATERIALS & COMPONENTS**

NO.	DATE	BY	REVISIONS

DATE: 6/30/16
 SCALE: N.T.S.
 DWG. BY: JK
 CHK. BY: LFS
 DRAWING NO.: FL-20873.1
 SHEET 8 OF 8